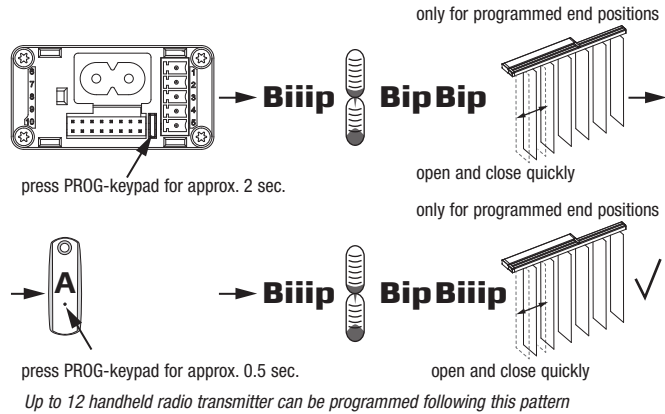


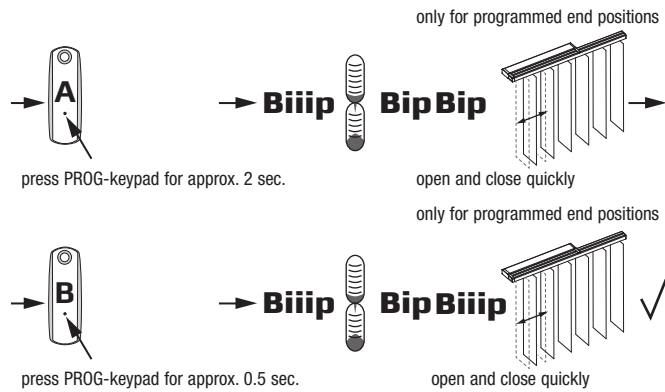
1. Initial programming of an RTS radio transmitter

Δ! The PROG button for the drive electronics must be used.



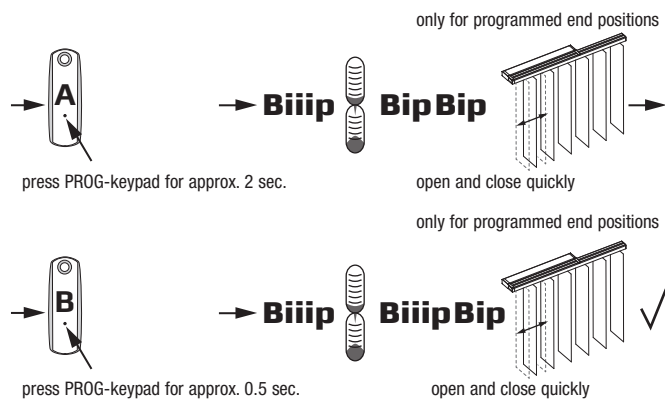
2. Programming another RTS radio transmitter

Δ! Using a radio transmitter in the drive that has already been programmed.

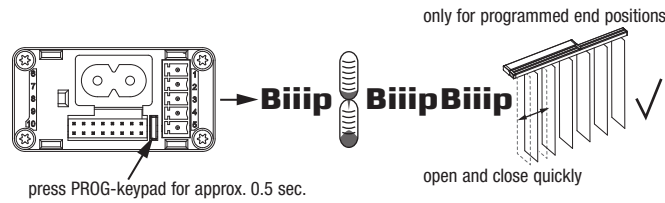


3. Deprogramming a RTS-radio transmitter

Δ! Using a radio transmitter in the drive that has already been programmed.

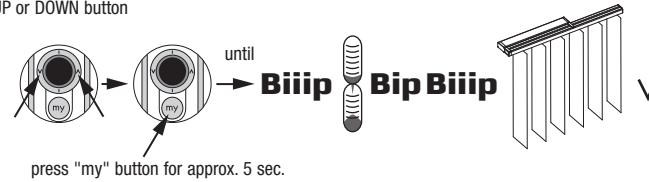


4. Cancel learning ability



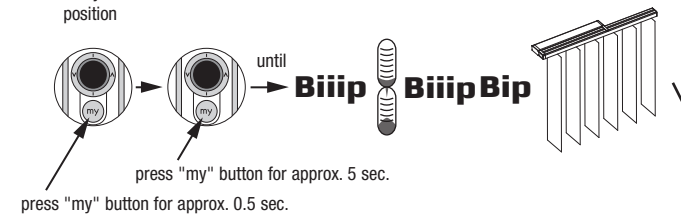
5. Programming "my" position

move to new "my" position using the UP or DOWN button

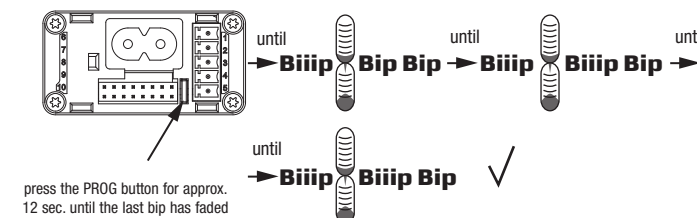


6. Delete a "my" position

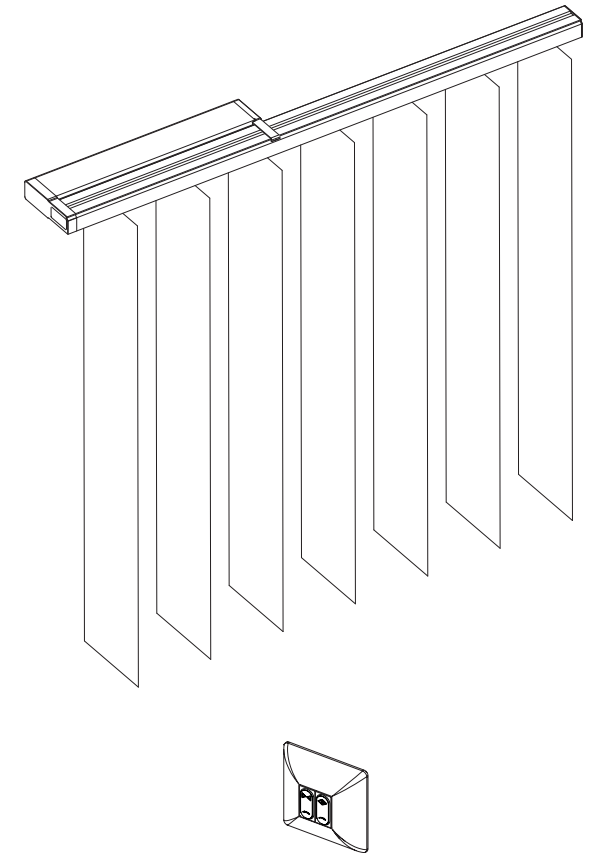
move to "my" position



7. Delete all settings



IQ2-Motor Electrical installation



Dear customer,

The IQ2-Motor solution offers greater intelligence. In addition to the well-known function of sideways blind travel and 180° rotation, the IQ2-Motor is equipped with a decorative setting and an intermediate stop function.

Overload detection offers maximum safety. The version with an integrated RTS receiver optimises Somfy compatibility.

Your
Vertical Blinds
Manufacturer

Installation – Vertical-System

Please take the information for installation from the leaflet “Installation – Operation – Care”, which describes all the installation procedures in detail.

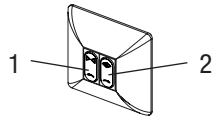
Electrical installation

Δ **WARNING** Δ

Installation work in the 230 V range must only be carried out by authorised specialists.

Operation/Maintenance

Control switch



The Vertical Blinds system with motor is controlled by a control switch and/or remote control.

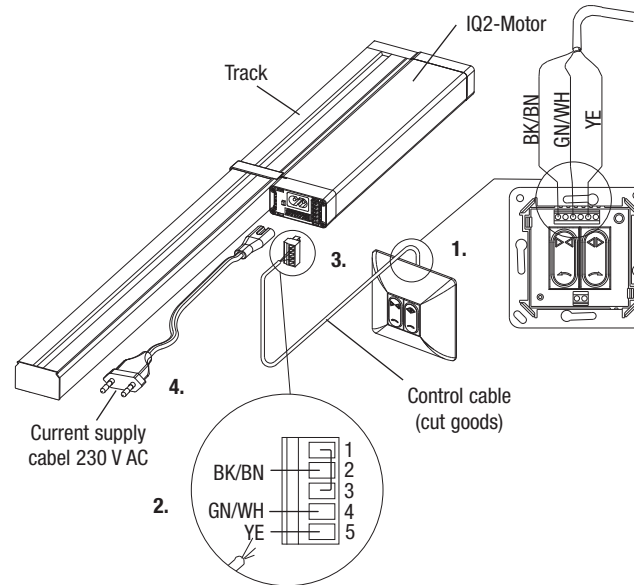
The louvres are run to the closed and open positions by pressing the keys 1 and 2. The motor is additionally equipped with an automatic function that allows it to be moved to the end position. Briefly pressing the key again interrupts the automatic control mode.

The motor system is maintenance-free.

Basic installation

Control switch with strip terminal

Δ **Important!** Do not apply voltage until all installation work has been completed.



Δ **Important!** The motor must not be removed from the track.

Installation procedure

1. Connect the control cable to the terminal in the control switch.
2. Connect the control cable to the terminal in the plug.
3. Connect the control cable and the motor.
4. Establish a connection with the main connection cable.

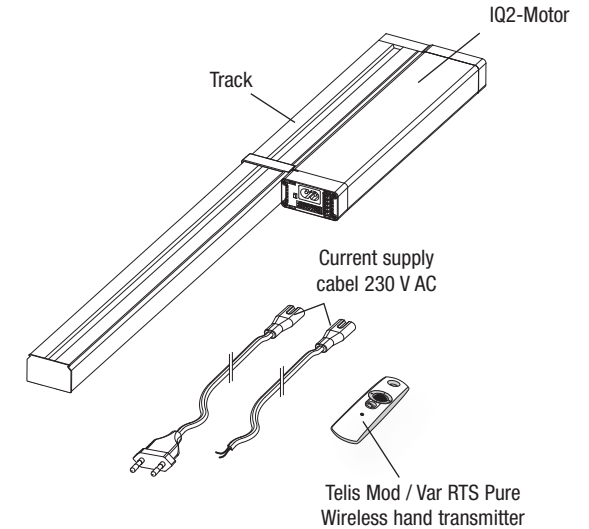
Cable colours:

- BK - (black) - (GND)
- BN - (brown) - (GND)
- GN - (green) - (close)
- WH - (white) - (close)
- YE - (yellow) - (open)

Set jumper connectins - between terminals 1 + 3

IQ2-Motor with RTS

Δ **Important!** Do not apply voltage until all installation work has been completed.



Δ **Important!** The motor must not be removed from the track.

Installation procedure

1. Establish a connection with the main connection cable.
2. Teach-in Somfy radio transmitter (see IQ2-Motor RTS brief instruction)